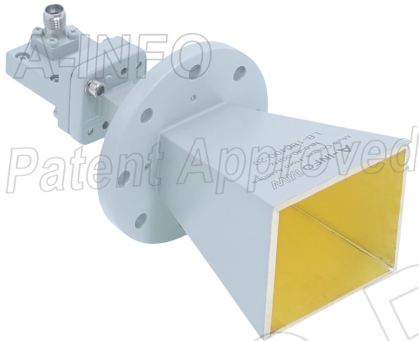


For reference only. See data sheet for the detailed specifications.

Technical Specification



Frequency Range(GHz)	18.0 – 40.0	
Gain(dBi)	20 Typ.	
Polarization	Linear	
3dB Beamwidth(deg)	E Plane:	26 - 9
	H Plane:	29 - 10
Cross Pol. Isolation(dB)	35 Typ.	
VSWR	1.5:1 Typ.	
Output	A Type:	FPWRD180C24 2.92mm-Female
	C Type:	or 2.4mm-Female or 2.92mm-Male
Power Handling(W CW)	2.92mm-Female:	20 Max.
	2.4mm-Female:	10 Max.
	2.92mm-Male:	20 Max.
Material	Cu	
Finish	Gold Plated and Passivation, Gray Paint	
Size(mm)	A Type:	55 x 55 x 87
	C Type:	55 x 55 x 113
Net Weight(Kg)	A Type:	0.21 Around
	C Type:	0.25 Around

PATENT ID (China)

ZL201930458725.9

AINFO Inc.

China(Beijing):
China(Chengdu):
USA :

Tel: (+86) 10-6266-7326,
Tel: (+86) 28-8519-2786,
Tel: (+1) 949-639-9688,

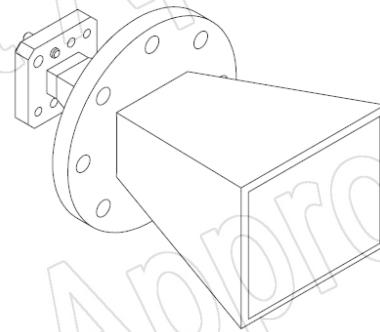
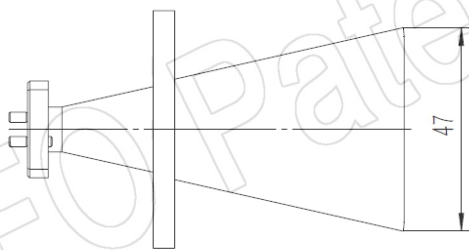
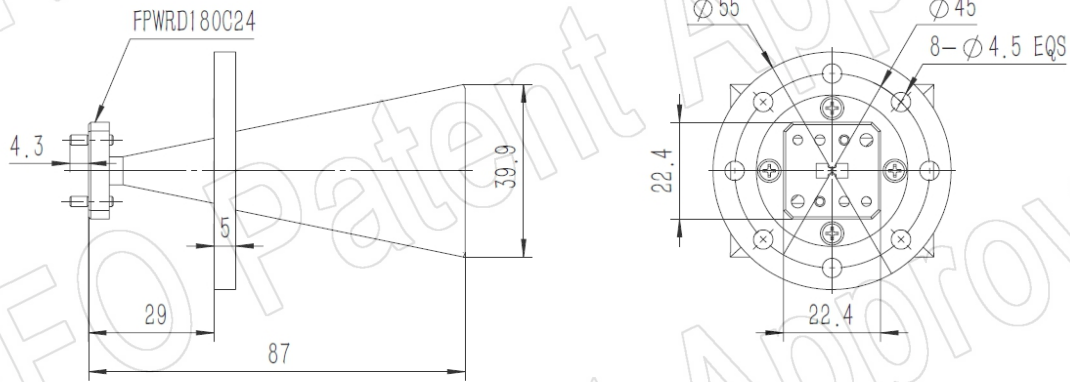
(+86) 10-6266-7327
(+86) 28-8519-3044
(+1) 949-639-9608

Fax: (+86) 10-6266-7379
Fax: (+86) 28-8519-3068
Fax: (+1) 949-639-9670

Website: www.ainfoinc.com
Email: sales@ainfoinc.com

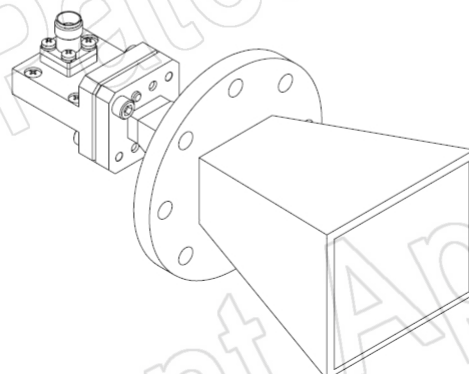
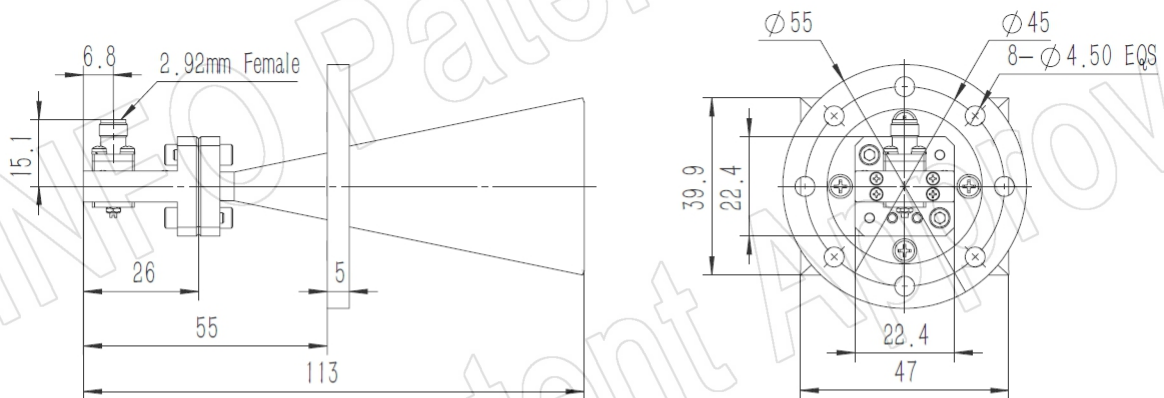
Outline Drawing (Size: mm)

FPWRD180C24 Output (P/N: LB-180400-20-A)



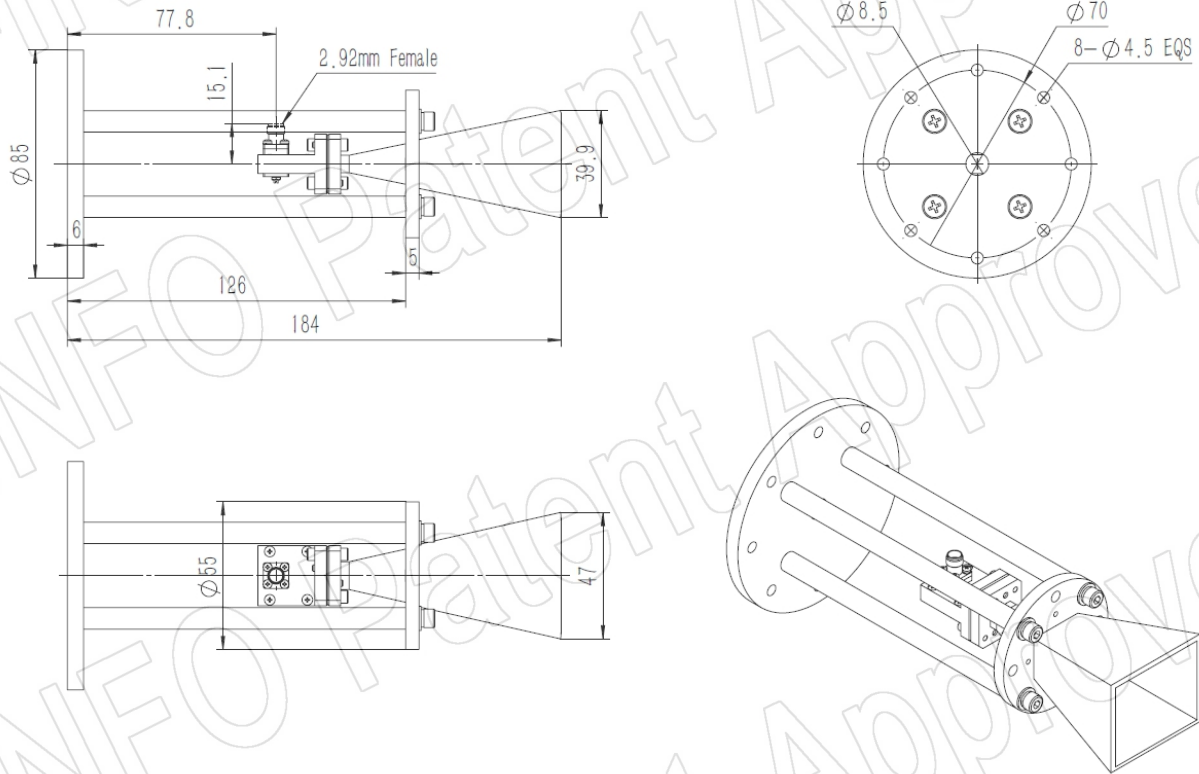
2.92mm-Female Output (P/N: LB-180400-20-C-KF)

For 2.4mm-Female or 2.92mm-Male output outline drawing, please contact A-INFO.



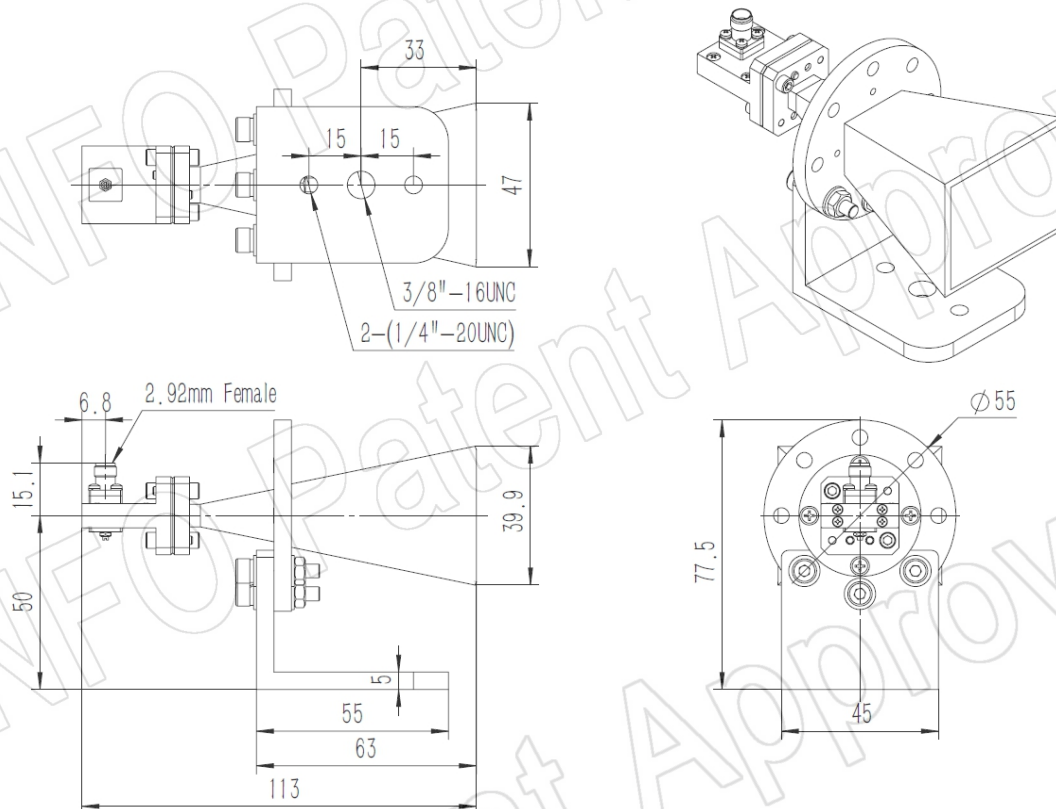
2.92mm-Female Output with Round Mounting Bracket (Option, P/N: LB-19-25-MB2)

For 2.4mm-Female or 2.92mm-Male output outline drawing, please contact A-INFO.

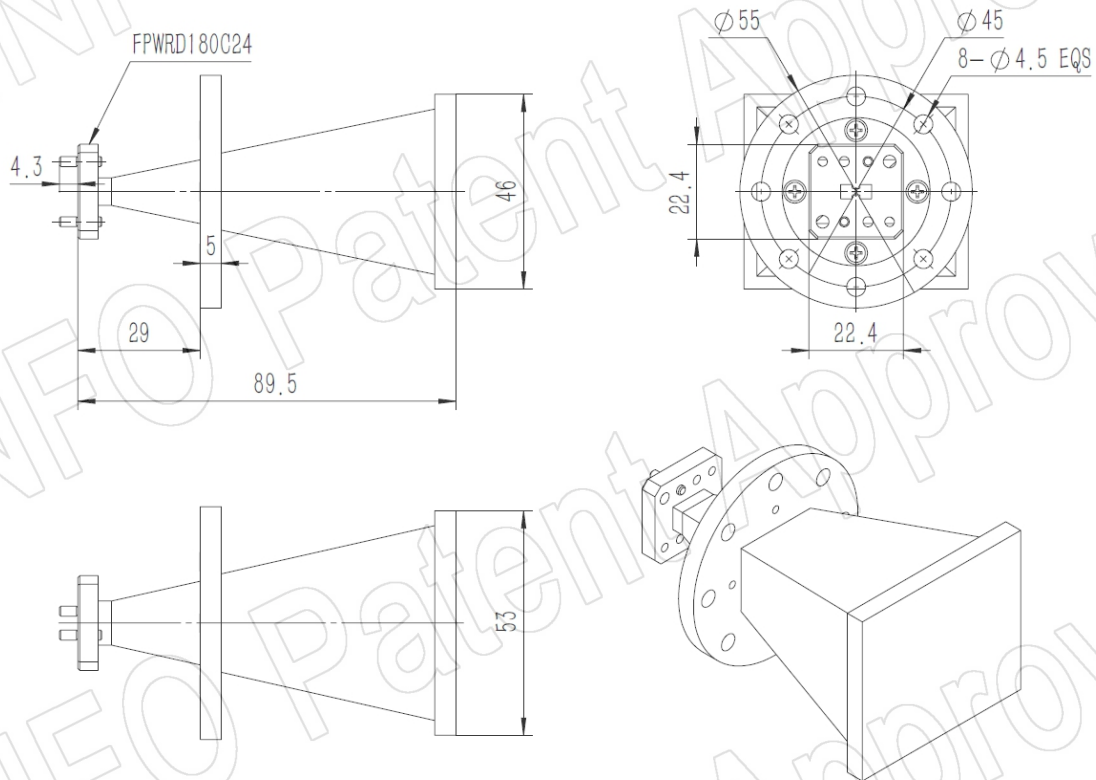


2.92mm-Female Output with L Type Mounting Bracket (Option, P/N:LB-19-25-L2)

For 2.4mm-Female or 2.92mm-Male output outline drawing, please contact A-INFO.

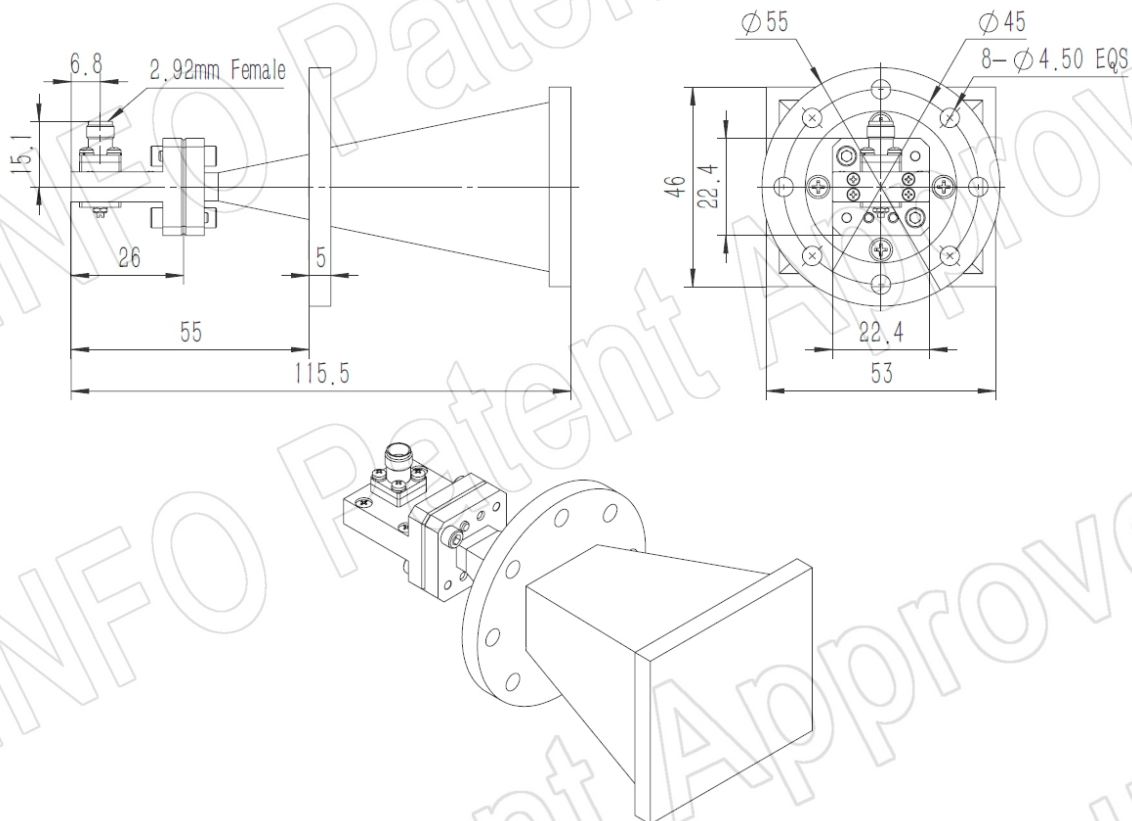


FPWRD180C24 Output with Radome (Option, P/N: LB-180400-20-ASPO, Outdoor Application)



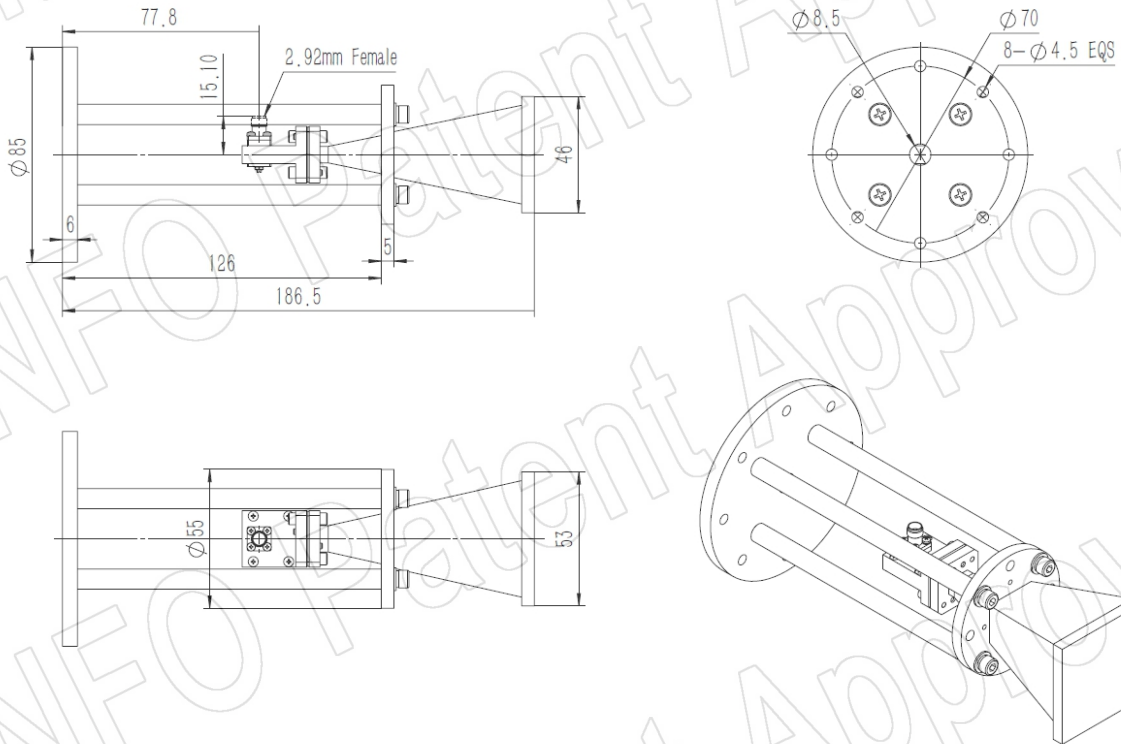
2.92mm-Female Output with Radome (Option, P/N: LB-180400-20-C-KFSP0, Outdoor Application)

For 2.4mm-Female or 2.92mm-Male output outline drawing, please contact A-INFO.



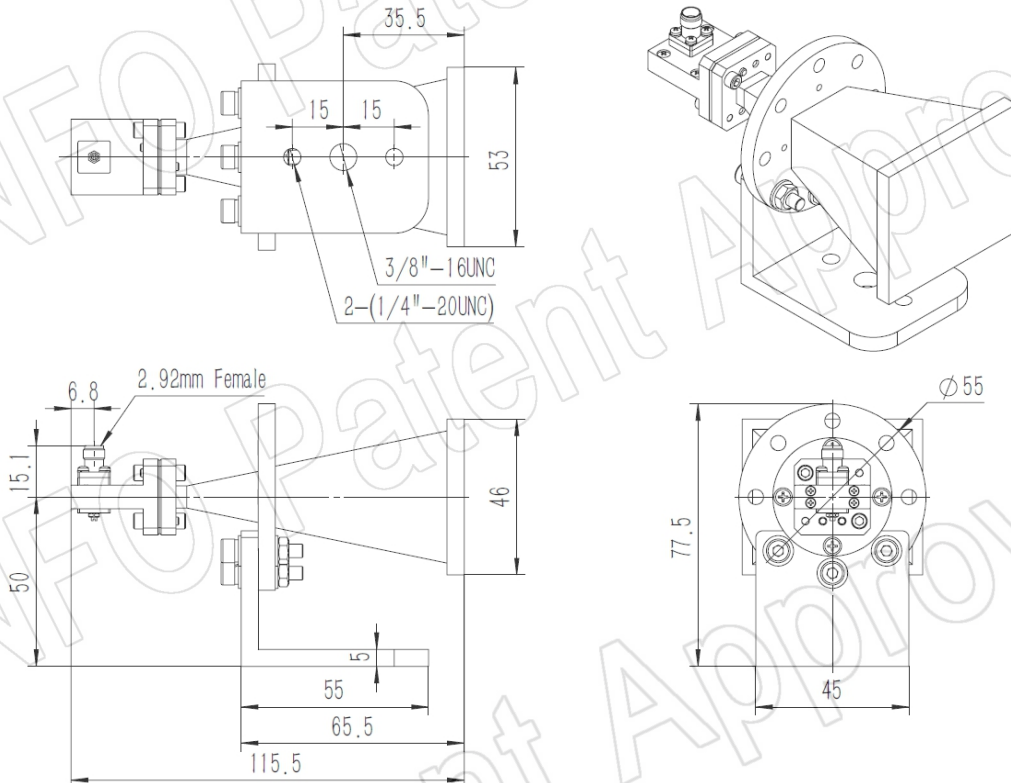
2.92mm-Female Output with Round Mounting Bracket & Radome (Option, P/N: LB-19-25-MB2 & LB-180400-20-C-KFSPO, Outdoor Application)

For 2.4mm-Female or 2.92mm-Male output outline drawing, please contact A-INFO.



2.92mm-Female Output with L Type Mounting Bracket & Radome (Option, P/N: LB-19-25-L2 & LB-180400-20-C-KFSPO, Outdoor Application)

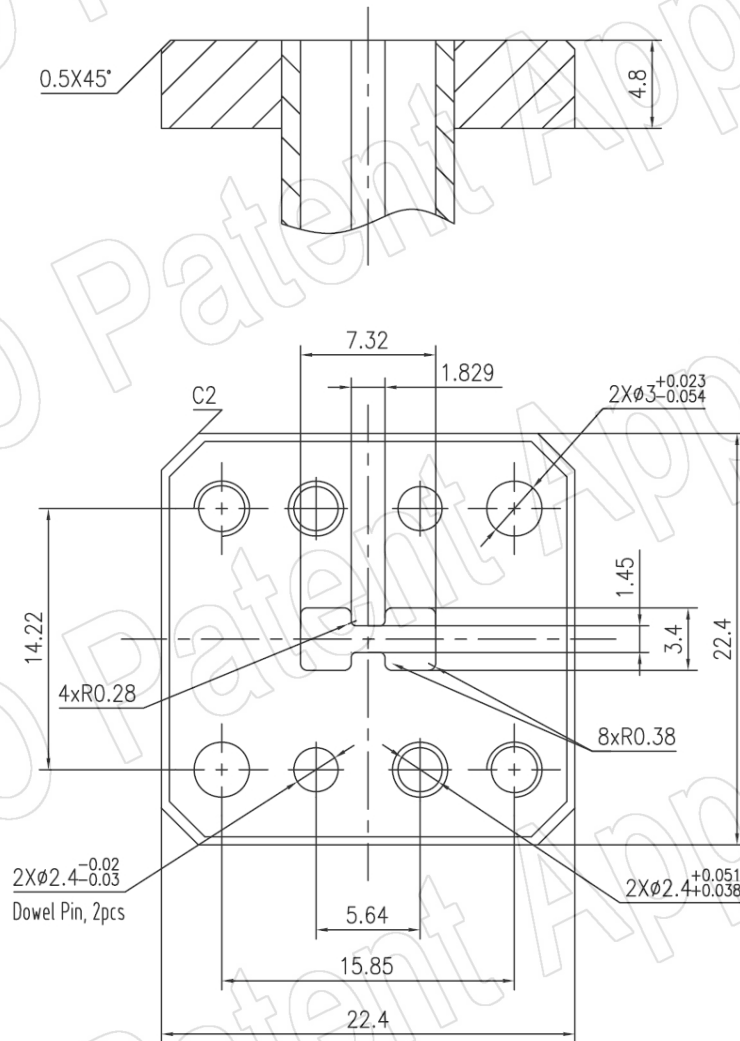
For 2.4mm-Female or 2.92mm-Male output outline drawing, please contact A-INFO.



Flange Drawing (Size: mm)

FPWRD180C24

(With two through mounting holes
and two screws holes)



AINFO Inc.

China(Beijing):
China(Chengdu):
USA :

Tel: (+86) 10-6266-7326,
Tel: (+86) 28-8519-2786,
Tel: (+1) 949-639-9688,

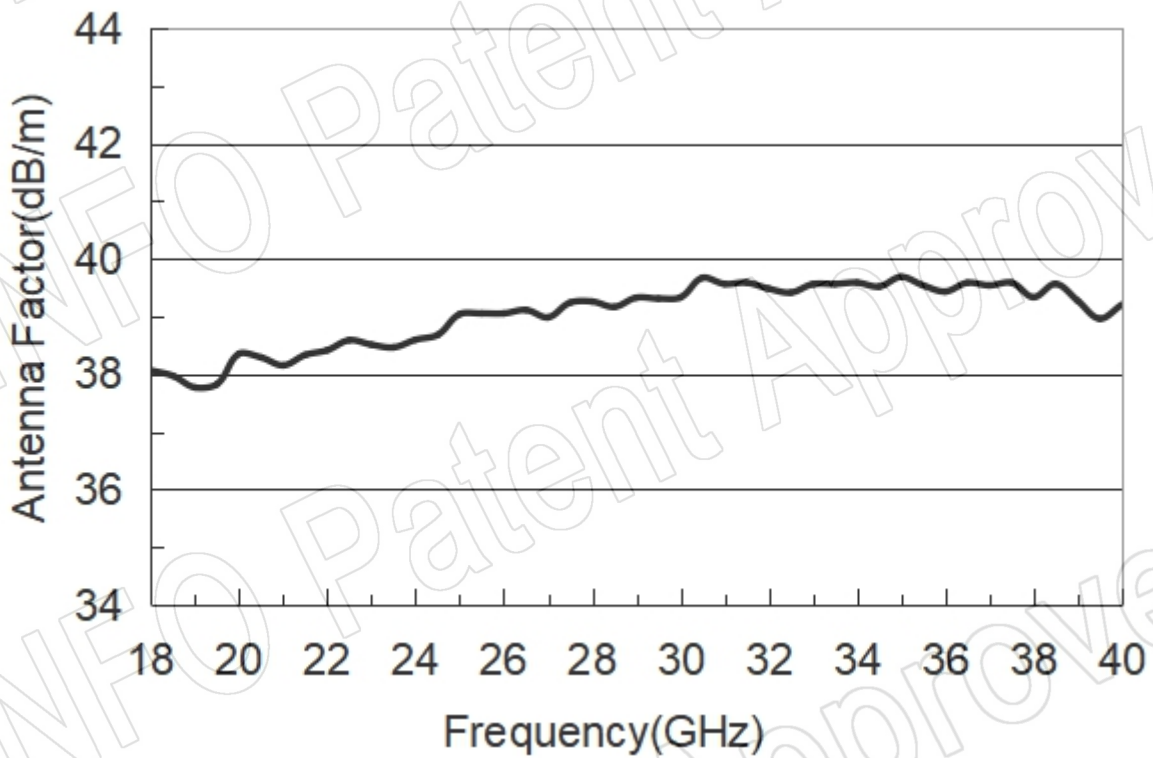
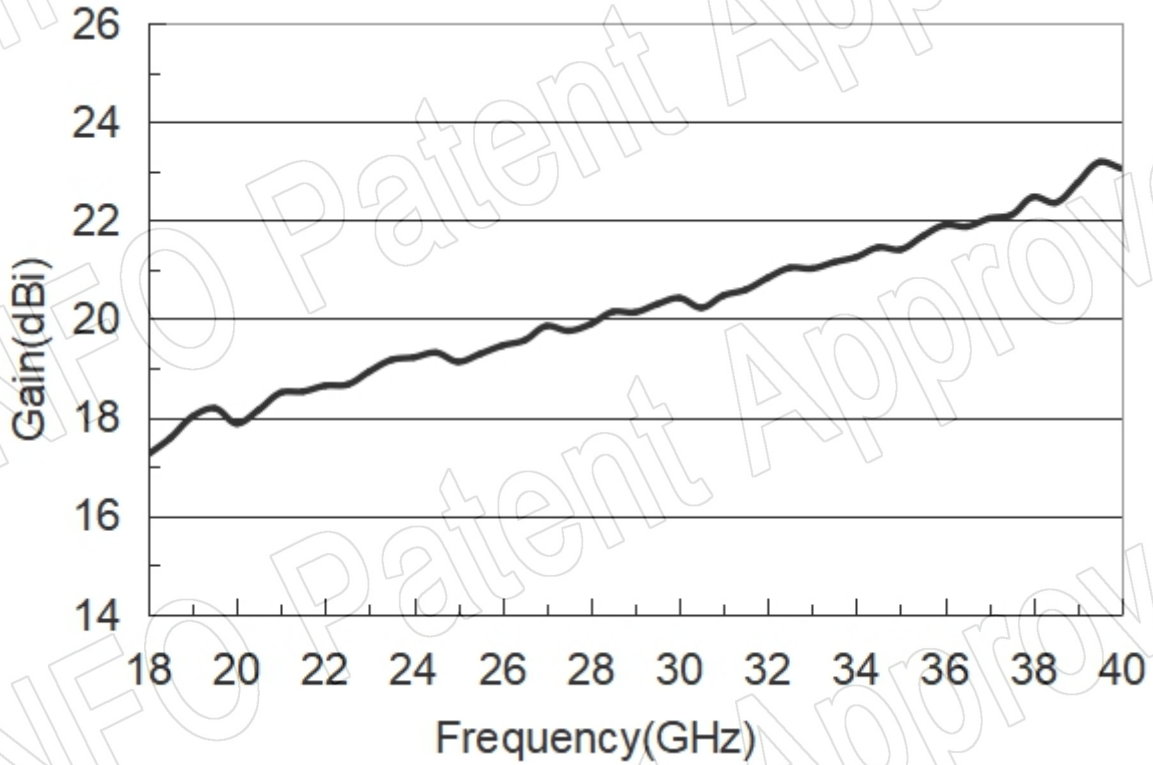
(+86) 10-6266-7327
(+86) 28-8519-3044
(+1) 949-639-9608

Fax: (+86) 10-6266-7379
Fax: (+86) 28-8519-3068
Fax: (+1) 949-639-9670

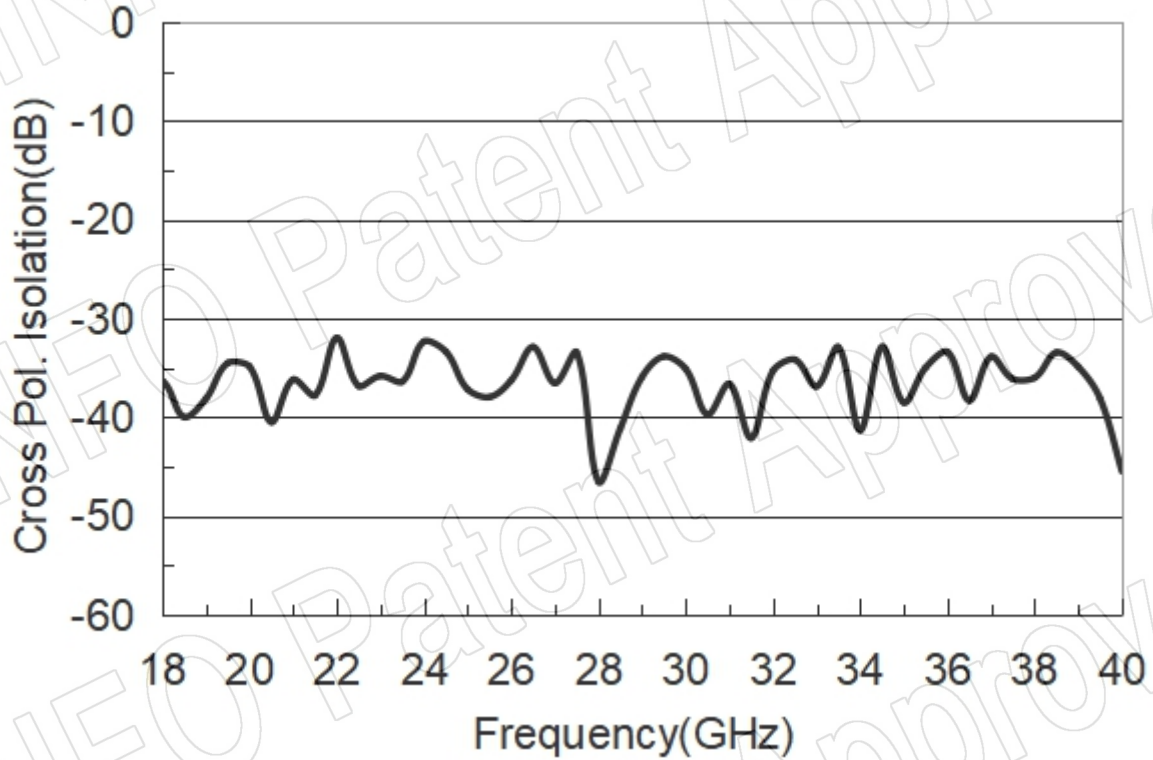
Website: www.ainfoinc.com
Email: sales@ainfoinc.com

Test Results

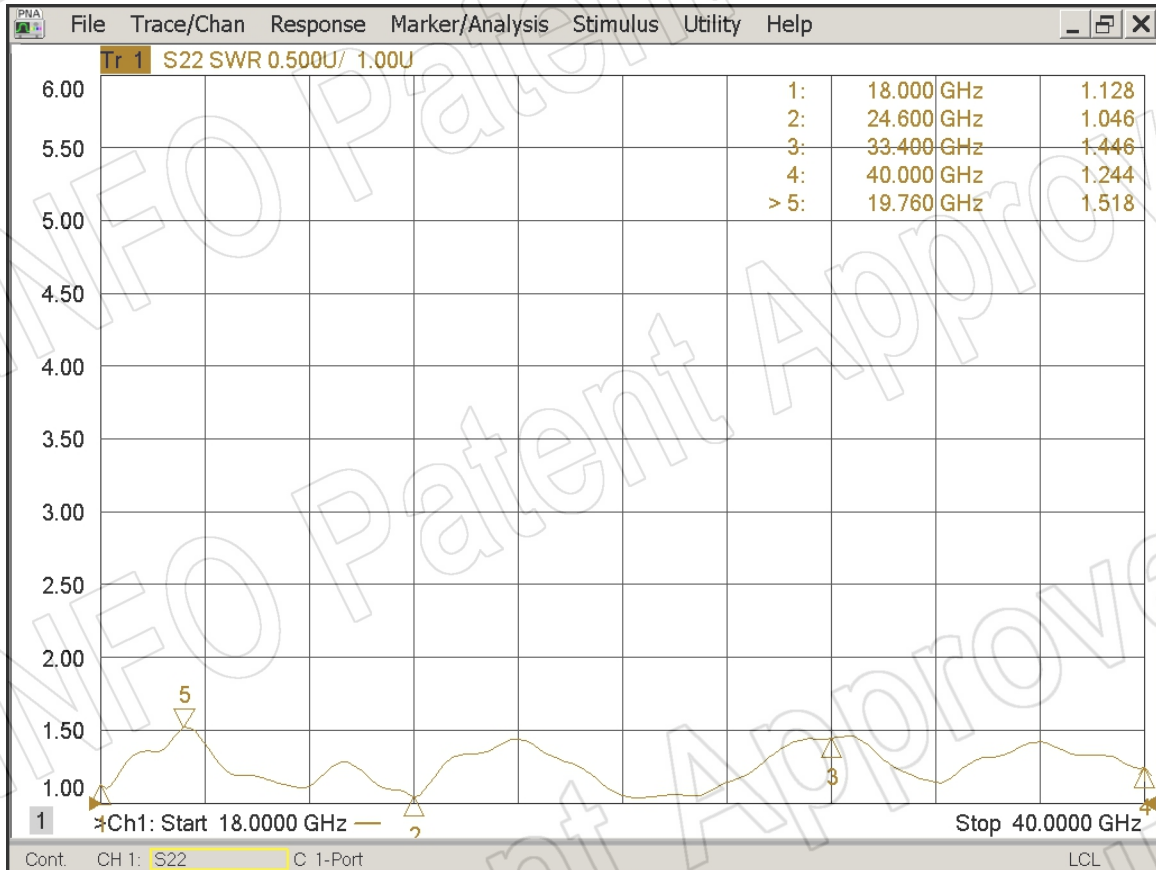
1. Gain & Antenna Factor



2. Cross Polarization Isolation



3. VSWR



4. Pattern

